



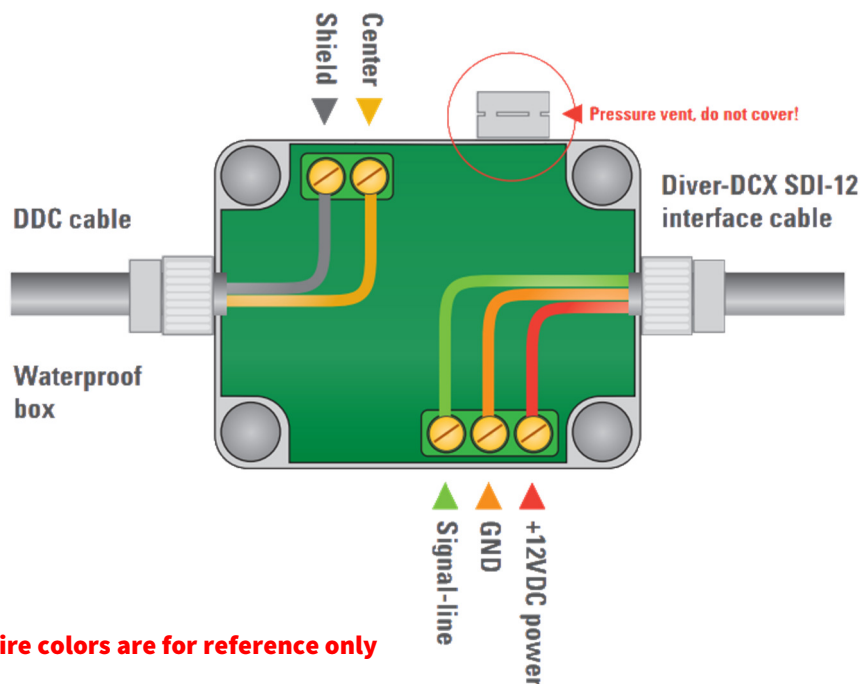
Quick Reference Guide

Diver-DCX

The Diver-DCX (AS337) or Diver Direct Communication eXchanger is specifically engineered to integrate Divers into any SDI-12 compatible telemetry system.

The following steps must be taken to install the Diver-DCX:

1. Turn off power to the SDI-12 datalogger and/or the SDI-12 network.
2. Open the Diver-DCX box using a flat or Philips screwdriver.
3. Connect the upper left two terminals of Diver-DCX to the DiverDataCable as shown in the picture below.
4. Connect the Diver to the DiverDataCable
5. Connect the three SDI-12 terminals of the Diver-DCX to the interface of the SDI-12 datalogger as shown in the picture below



6. Turn on power to the datalogger and/or the SDI-12 network such that power is applied to the Diver-DCX
7. Using the SDI-12 datalogger change the default address '0' to the desired value using the following command '0Ab!', where *b* is the desired address.

- | | |
|-----------------------------------------------------------|----------------------|
| • Operational temperature: | -20 °C up to +80 °C |
| • Input voltage: | +7 VDC up to +15 VDC |
| • Protection grade of the enclosure: | IP66 |
| • Maximum length of the Diver-DCX SDI-12 interface cable: | 15. |
| • Maximum length of the DDC cable: | 300m. |