



Technology Sheet

CTD-Diver – DI27x

Technical Specifications

Length	135 mm
Diameter	22 mm
Weight	95 g
Memory	48,000 measurements
Wetted parts	
housing	ceramic (ZrO ₂)
o-rings	Viton [®]
pressure sensor	piezoresistive ceramic (Al ₂ O ₃)
cap / nose cone	Nylon PA6 30% glass fiber
conductivity sensor	platinum electrodes on ceramic (Al ₂ O ₃) carrier
Battery life	10 years with 3 minutes or greater sample interval within the calibrated temperature range
Sample interval	1 second to 99 hours
Sample methods	fixed, event dependent, averaging, and pumping test

Pressure

Part number	DI 271	DI 272	DI 273	
Range	10	50	100	mH ₂ O
Accuracy [†]	± 0.5	± 2.5	± 5.0	cmH ₂ O
Resolution	0.2	1.0	2.0	cmH ₂ O

Temperature

Range	-20 to 80 °C
Calibrated	0 to 50 °C
Accuracy [†]	± 0.1 °C
Resolution	0.01 °C

[†] typical

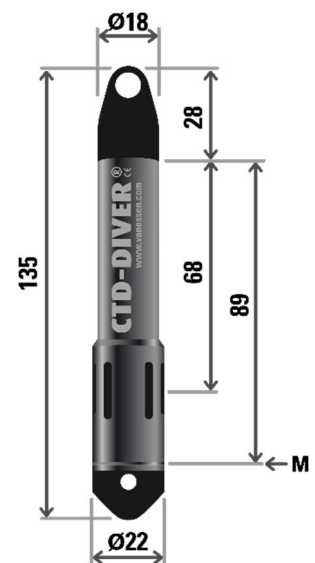
Conductivity

Range	0 to 30 or 120 mS/cm [†]
Accuracy [†]	± 1% of reading
Resolution	0.1 % of reading

[†] user adjustable



Actual size



M = membrane
Dimensions in mm